

## Zap-Mount Installation Guide

### Preparations:

1. It is preferable but not essential to find a wall stud to attach the Zapmount wall bracket
2. Hold the Zapmount wall bracket on the wall where you want the shelf to be ensuring it is level as this is how your shelf will sit when clicked in
3. Mark the wall through the drill holes on the Zapmount wall bracket showing where the screws are to be. Put the Zapmount down
4. Test if your marks are also where a wall stud might be by gently drilling in one of the wall stud screws. You will know if it has hit a wall stud, as the screw will be firmer and obviously gripping something (refer [Option 1](#)). Do not put the screw all the way in
5. Remove the screw and repeat this test on each of your marks
6. Where there is no grip you are screwing only into Gib Board (refer [Option 2](#))
7. For concrete or concrete block walls (refer [Option 3](#))

### LOAD RATING 12 KG

#### Option 1

##### Walls with Timber Studs

8. Position the Zapmount on the wall
9. Where you know there is a wall stud use the wall stud screw
10. Do not tighten until all the other screws have been loosely attached
11. Gently tighten until the Zapmount is firmly attached to the wall
12. Click in Zapshef

#### Option 2

##### Gib Board Walls

13. Use an 8mm drill bit and gently drill a hole to fit the wall anchor
14. Gently put the wall anchor in to the hole and firmly push so the face of the anchor is locked into the gib board and is sitting flat with the wall
15. Position the Zapmount wall bracket using the three anchor screws
16. Do not tighten until all the other screws have been loosely attached
17. Gently tighten until the Zapmount is firmly attached to the wall
18. Click in Zapshef

#### Option 3

##### Concrete or Concrete Block Walls

19. Use a 6mm drill bit and gently drill a hole to fit the wall anchor
20. Gently put the wall anchor in to the hole and firmly push so the face of the anchor is locked into the gib board and is sitting flat with the wall
21. Position the Zapmount wall bracket using the three anchor screws
22. Do not tighten until all the other screws have been loosely attached
23. Gently tighten until the Zapmount is firmly attached to the wall
24. Click in Zapshef

## Zap-Mount Installation Guide

DIAGRAM 1

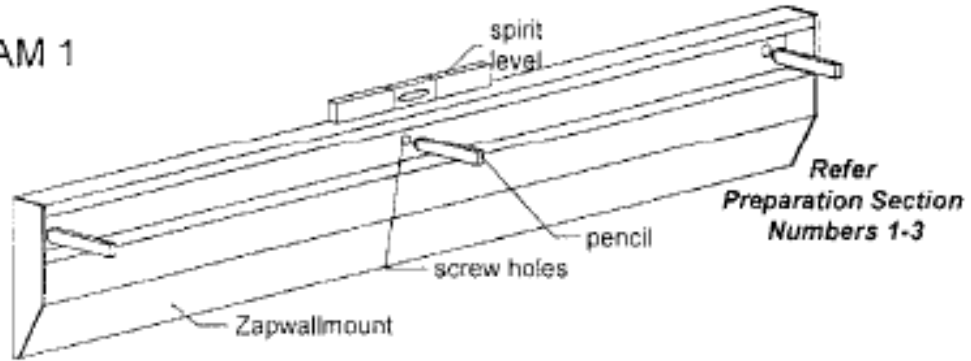


DIAGRAM 2

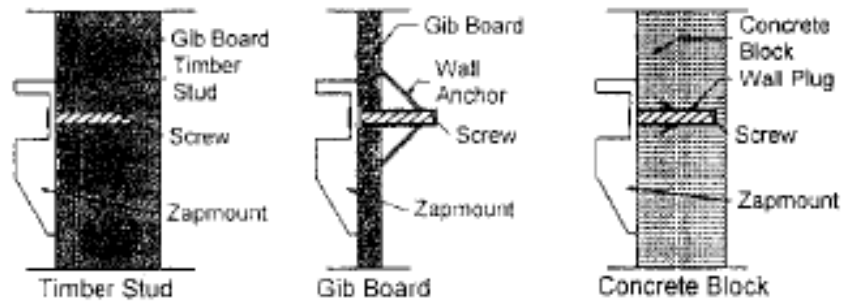


DIAGRAM 3

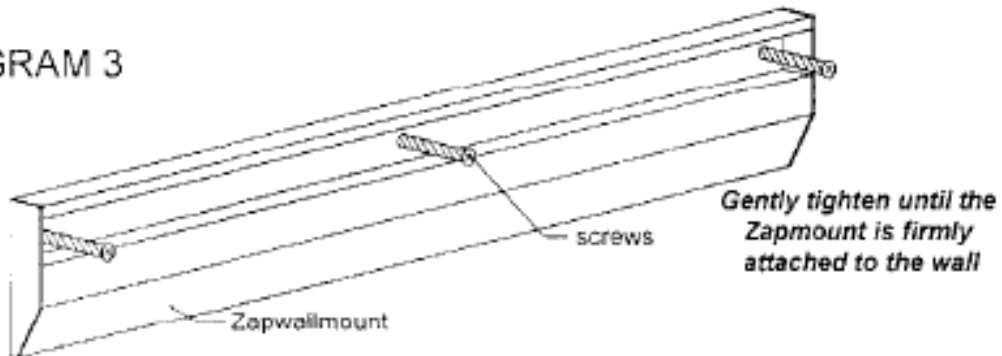


DIAGRAM 4

